



Spraying Systems Co.
Experts in Spray Technology

AUTOJET® 1000+ TIMING CONTROLLER

MINIMIZE LUBRICANT WASTE, IMPROVE WORKER SAFETY WITH SIMPLE ON/OFF TIMING CONTROL

Eliminate manual application of lubricants with the affordable AutoJet 1000+ timing controller. This basic controller automates on/off timing applications and eliminates the problems with manual application such as over-application and lubricant waste, excess mist and messy, slippery work areas. Used with electrically-actuated spray nozzles, the AutoJet 1000+ controller ensures the proper volume of the lubricant is applied on the target with minimal waste.

BENEFITS

- Minimize waste of costly lubricants
- Reduced overspray and misting improves the work environment and reduces maintenance downtime
- Automated operation enables increased throughput and production; workers can be deployed to other tasks
- Minimal configuration or set-up time for batch changes – up to 20 recipes can be stored
- Optional AA250AUH electrically-actuated spray nozzles are compact and constructed of Ryton® and stainless steel with Viton® seals for maximum corrosion resistance
- Flexible operation – two independent timing channels, each with separate timing and trigger modes; fixed, repeat and variable timing modes
- HMI-based operation for easy operation
- Plug-and-play solution – cables and sensor kits included
- Recommended for use with compact, corrosion-resistant AA250AUH spray nozzles



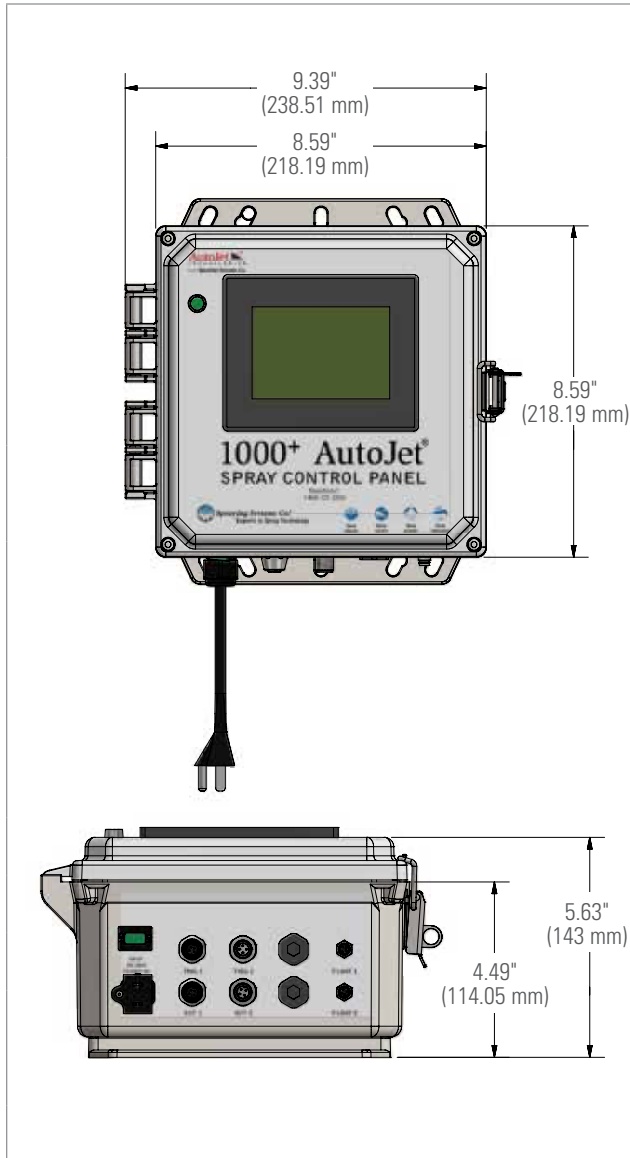
IDEAL FOR

- Stamping
- Metal working
- Lubrication/ Chain lubrication
- Low speed/ period spraying



SPECIFICATIONS

AUTOJET 1000+ TIMING CONTROLLER



Two-channel operation: Two independent timing channels, each with separate timing and trigger modes

Recipe-based timing: Holds up to 20 user-settable recipes

Timing modes:

- Variable spray time mode – sprays only as long as trigger is present
- Repeat spray mode – spray cycle is repeated on/off as long as trigger is present
- Fixed spray mode – sprays once for a fixed time (single shot)

Nozzle options: AA250AUH electrically-actuated spray nozzles and other 24 VDC devices

Triggering options:

- Sensor kits – photo electric, laser, proximity and thru-beam
- Hand pendant
- Local (on HMI)
- Dry contacts cable for a customer supplied trigger

Resolution: 10ms, up to 320 sec. maximum on-times

HMI interface: 4.3" color

Input: 120VAC

Output, 1 per channel: 24VDC

Float switch input, 1 per channel: FLOAT 1 and FLOAT 2

NEMA 4/IP66 polycarbonate enclosure: 8" x 8" x 4"



Spraying Systems Co.®
Experts in Spray Technology

North Avenue and Schmale Road, P.O. Box 7900, Wheaton, IL 60187-7901 USA

Tel: 1.800.95.SPRAY Intl. Tel: 1.630.665.5000

Fax: 1.888.95.SPRAY Intl. Fax: 1.630.260.0842

www.spray.com



Bulletin No. 735 ©Spraying Systems Co. 2018